



<b>Title</b>	Resistorless Current-mode Quadrature Sinusoidal Oscillator Using CDTAs
<b>Author(s)</b>	Tanjaroen, Wason; Tangsrirat, Worapong
<b>Citation</b>	Proceedings : APSIPA ASC 2009 : Asia-Pacific Signal and Information Processing Association, 2009 Annual Summit and Conference, 307-310
<b>Issue Date</b>	2009-10-04
<b>Doc URL</b>	<a href="http://hdl.handle.net/2115/39698">http://hdl.handle.net/2115/39698</a>
<b>Type</b>	proceedings
<b>Note</b>	APSIPA ASC 2009: Asia-Pacific Signal and Information Processing Association, 2009 Annual Summit and Conference. 4-7 October 2009. Sapporo, Japan. Poster session: Advanced Circuits and Systems/VLSI (5 October 2009).
<b>File Information</b>	MP-P3-8.pdf



[Instructions for use](#)

# Resistorless Current-mode Quadrature Sinusoidal Oscillator Using CDTAs

Wason Tanjaroen and Worapong Tangsrirot

Faculty of Engineering and  
 Research Center for Communications and Information Technology (ReCCIT),  
 King Mongkut's Institute of Technology Ladkrabang (KMITL), Bangkok 10520, Thailand  
 E-mail : t-wason@src.ku.ac.th and ktworapo@kmitl.ac.th

**Abstract-** A circuit technique for realizing a current-mode quadrature sinusoidal oscillator using current differencing transconductance amplifiers (CDTAs) as active components is presented in this paper. The proposed circuit employing only three CDTAs and two grounded capacitors can provide two quadrature sinusoidal current outputs with 90° phase difference. The oscillation condition and the oscillation frequency ( $\omega$ ) of the proposed circuit can be electronically and orthogonally tuned. Simulation results with PSPICE are used to confirm the presented theory.

**Keywords:** Current differencing transconductance amplifier (CDTA), Quadrature oscillator, Current-mode circuit

## I. INTRODUCTION

The quadrature sinusoidal oscillator is widely used in analog signal-processing and communication. The quadrature oscillator is employed because it can generate two sinusoidal outputs of identical frequency but of 90° phase shift, as for examples in telecommunications for quadrature mixers and single-sideband generators or for measurement purposes in vector generator or selective voltmeters [1]. Several synthesizes of quadrature oscillator circuits have received considerable attention [2]-[4]. However, these earlier quadrature oscillators operate in voltage-mode. Current-mode quadrature sinusoidal oscillator circuits are receiving much attention because of their potential advantages such as wider bandwidth, wider dynamic range, simpler circuitry, and lower power consumption. Considering this fact, a number of current-mode quadrature sinusoidal oscillator realizations using CDTAs were reported in the literature [5]-[8]. all of these quadrature oscillators suffer from the following disadvantages: (i) the oscillation condition and the oscillation frequency are interdependent [7]; (ii) the use of some external passive resistors [5]-[7]; (iii) the use of a large number of CDTAs in circuit realization, namely four CDTAs [8].

In this paper, the resistorless realization of an electronically tunable current-mode quadrature sinusoidal oscillator using only three CDTAs and two grounded capacitors is proposed. Comparing to the recently realization available in [5]-[8], the

proposed circuit offers the following advantages: (i) two quadrature sinusoidal output waveforms of 90° phase shift are obtained simultaneously without changing circuit configuration; (ii) the oscillation condition and the oscillation frequency are independently tunable; (iii) the use of only grounded capacitor, which makes the circuit attractive for integration; (iv) low sensitivity. Simulation results verifying the theoretical analysis are also included.

## II. CIRCUIT DESCRIPTION

The circuit representation of the CDTA is shown in Fig.1, where p and n are input terminals, z and x are output terminals. The terminal relation of the CDTA can be expressed by the following matrix [9]-[10]:

$$\begin{bmatrix} i_z \\ i_x \\ v_p \\ v_n \end{bmatrix} = \begin{bmatrix} 1 & -1 & 0 & 0 \\ 0 & 0 & g_m & 0 \\ 0 & 0 & 0 & 0 \\ 0 & 0 & 0 & 0 \end{bmatrix} \begin{bmatrix} i_p \\ i_n \\ v_z \\ v_x \end{bmatrix} \quad (1)$$

where  $g_m$  is the transconductance gain of the CDTA, and  $Z_z$  is an impedance connected at the terminal z. From equation (1), the current through the terminal z ( $i_z$ ) follows the difference of the currents through the terminals p and n ( $i_p - i_n$ ), and flows from the terminal z into an outside impedance  $Z_z$ . The voltage drop at the terminal z is transferred to a current at the terminal x ( $i_x$ ) by a transconductance gain ( $g_m$ ), which is generally controllable by electronic means.

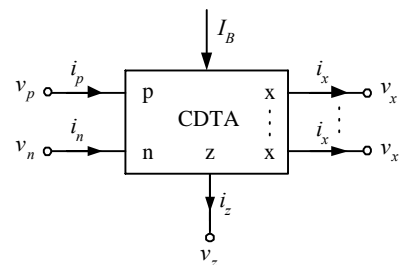


Fig 1 Symbol of the CDTA.

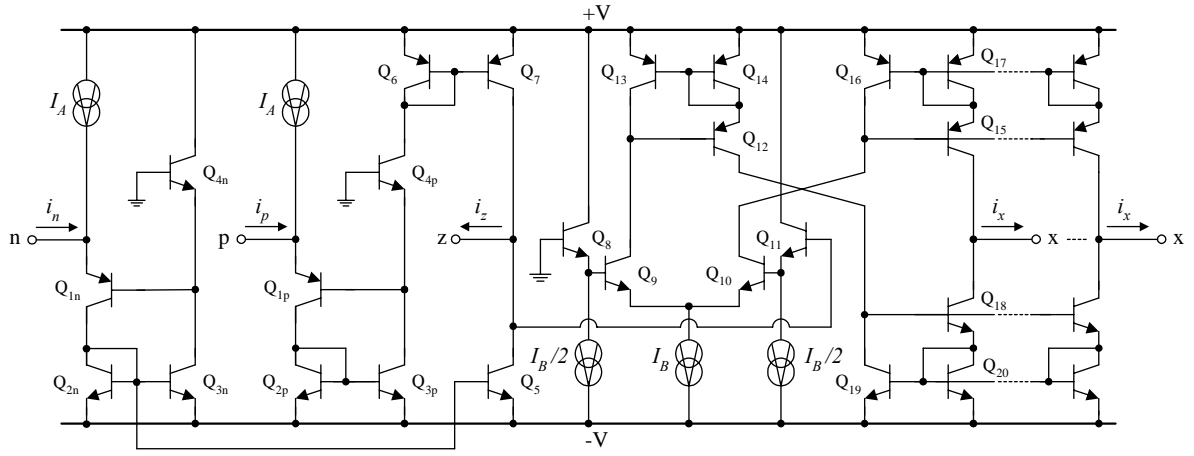


Fig.2 Possible bipolar implementation of the CDTA.

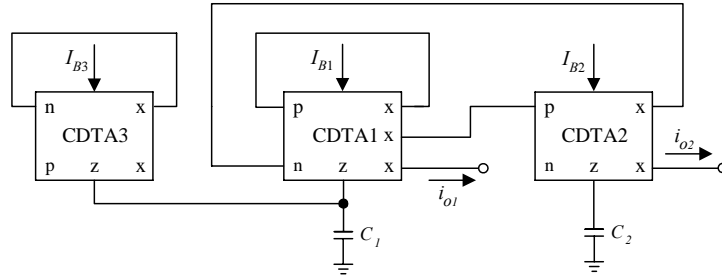


Fig.3 Proposed current-mode quadrature oscillator.

Fig.2 shows the possible bipolar implementation of the CDTA circuit used in this work [11]. It mainly consists of a current subtractor formed by current followers  $Q_{1p}$ - $Q_{4p}$  and  $Q_{1n}$ - $Q_{4n}$ , and a multiple-output transconductance amplifier  $Q_8$ - $Q_{20}$  that converts the voltage drop at the terminal  $z$  ( $v_z$ ) to its corresponding differential output currents  $i_x$ . In this case, the transconductance gain  $g_m$  is directly proportional to the external bias current  $I_B$ , which can be written by:

$$g_m = \frac{I_B}{2V_T} \quad (2)$$

where  $V_T \cong 26$  mV at  $27^\circ\text{C}$  is the thermal voltage

### III. PROPOSED CIRCUIT

The proposed current-mode quadrature oscillator is shown in Fig.3, which is based on the use of three CDTAs and two grounded capacitors. From routine calculations for the proposed quadrature oscillator, the characteristic equation of the circuit can be written by:

$$s^2 + s \left( \frac{g_{m3} - g_{m1}}{C_1} \right) + \left( \frac{g_{m1}g_{m2}}{C_1C_2} \right) = 0 \quad (3)$$

From equation (3), the oscillation condition and the oscillation frequency ( $\omega_o$ ) can also be obtained as:

$$g_{m1} = g_{m3} \quad (4)$$

and

$$\omega_o = \sqrt{\frac{g_{m1}g_{m2}}{C_1C_2}} \quad (5)$$

Further, if we setting  $C_1 = C_2 = C$  and by substituting equation (2) into equation (4) and (5), the oscillation condition and oscillation frequency can now be rewritten as

$$I_{B1} = I_{B3} \quad (6)$$

and

$$\omega_o = \frac{1}{2V_T C} \sqrt{I_{B1}I_{B2}} \quad (7)$$

It is interesting to note that the oscillation condition can be electronically controlled by adjusting  $I_{B3}$  without taking an effect to  $\omega_o$ , that is adjusted by  $I_{B2}$  and/or  $C$ . Therefore, both the oscillation condition and  $\omega_o$  of the proposed oscillation are orthogonally controlled. From Fig.3, the current transfer function between quadrature outputs  $i_{o2}$  and  $i_{o1}$  can be expressed as:

$$\frac{i_{o2}}{i_{o1}} = \frac{g_{m2}}{sC_2} \quad (8)$$

Equation (8) shows that the phase difference ( $\phi$ ) between  $i_{o2}$  and  $i_{o1}$  is  $90^\circ$ . This recommends that the currents  $i_{o1}$  and  $i_{o2}$  are in quadrature.

#### IV. NON-IDEAL EFFECTS

By taking into consideration of the non-ideal CDTAs, the relationship of the terminal current and voltage given in equation (1) can be rewritten as:

$$\begin{bmatrix} i_z \\ i_x \\ v_p \\ v_n \end{bmatrix} = \begin{bmatrix} \alpha_p & -\alpha_n & 0 & 0 \\ 0 & 0 & \beta g_m & 0 \\ 0 & 0 & 0 & 0 \\ 0 & 0 & 0 & 0 \end{bmatrix} \begin{bmatrix} i_p \\ i_n \\ v_z \\ v_x \end{bmatrix} \quad (9)$$

where  $\alpha_p = 1 - \varepsilon_p$  and  $\varepsilon_p$  ( $|\varepsilon_p| \ll 1$ ) is the current tracking errors from  $p$  to  $z$  terminals,  $\alpha_n = 1 - \varepsilon_n$  and  $\varepsilon_n$  ( $|\varepsilon_n| \ll 1$ ) is the current tracking errors from  $n$  to  $z$  terminals, and  $\beta = 1 - \varepsilon_v$  and  $\varepsilon_v$  ( $|\varepsilon_v| \ll 1$ ) is the transconductance inaccuracy factor from  $z$  to  $x$  terminals, respectively. Reanalysis the proposed oscillator circuit of Fig.3 using equation (9) yields the modified characteristic equation as follows:

$$s^2 + s \left( \frac{\alpha_{n3} \beta_3 g_{m3} - \alpha_{p1} \beta_1 g_{m1}}{C_1} \right) + \left( \frac{\alpha_{n1} \alpha_{p2} \beta_1 \beta_2 g_{m1} g_{m2}}{C_1 C_2} \right) = 0 \quad (10)$$

where  $\alpha_{pi}$ ,  $\alpha_{ni}$  and  $\beta_i$  are the parameters  $\alpha_p$ ,  $\alpha_n$  and  $\beta$  of  $i$ -th CDTA ( $i = 1, 2, 3$ ), respectively. In this case, the modified oscillation condition and oscillation frequency are:

$$\alpha_{p1} \beta_1 g_{m1} = \alpha_{n3} \beta_3 g_{m3} \quad (11)$$

$$\text{and} \quad \omega_0 = \sqrt{\frac{\alpha_{n1} \alpha_{p2} \beta_1 \beta_2 g_{m1} g_{m2}}{C_1 C_2}} \quad (12)$$

The sensitivities with respect to the active and passive of the oscillation can be written as:

$$S_{g_{m1}, g_{m2}}^{\omega_0} = -S_{C_1, C_2}^{\omega_0} = \frac{1}{2} \quad (13)$$

$$S_{\alpha_{n1}, \alpha_{p2}, \beta_1, \beta_2}^{\omega_0} = \frac{1}{2} \quad (14)$$

$$\text{and} \quad S_{\alpha_{p1}, \alpha_{p3}, \alpha_{n2}, \alpha_{n3}, \beta_3}^{\omega_0} = 0 \quad (15)$$

It is important to note that the active and passive sensitivities are within unity in magnitude. Thus, the proposed circuit exhibits a low sensitivity performance.

#### V. SIMULATION RESULTS

The proposed CDTA-based current-mode quadrature oscillator configuration of Fig.3 has been simulated with PSPICE simulation program. In simulations, the CDTA was performed with the transistor model of PR100N (PNP) and NP100N (NPN) of the bipolar arrays ALA400 from AT&T [12]. The power supply voltages were set equal to  $\pm V = \pm 3V$ , and the bias current was  $I_A = 200 \mu A$ .

To obtain the quadrature output waveforms with the oscillation frequency of  $f_o = \omega_0/2\pi \cong 478$  kHz, the active and passive components were chosen as:  $I_{B1} = I_{B2} = I_{B3} = I_B = 150 \mu A$  and  $C_1 = C_2 = 1$  nF. Fig.4(a) shows the simulated quadrature output responses  $i_{o1}$  and  $i_{o2}$ , where the simulated frequency of the oscillation is found to be 470 kHz. Fig.4(b) represents the simulated frequency spectrums of the proposed circuit. In addition, the total harmonic distortion (THD) of the output responses  $i_{o1}$  and  $i_{o2}$  is approximated to 2.5%.

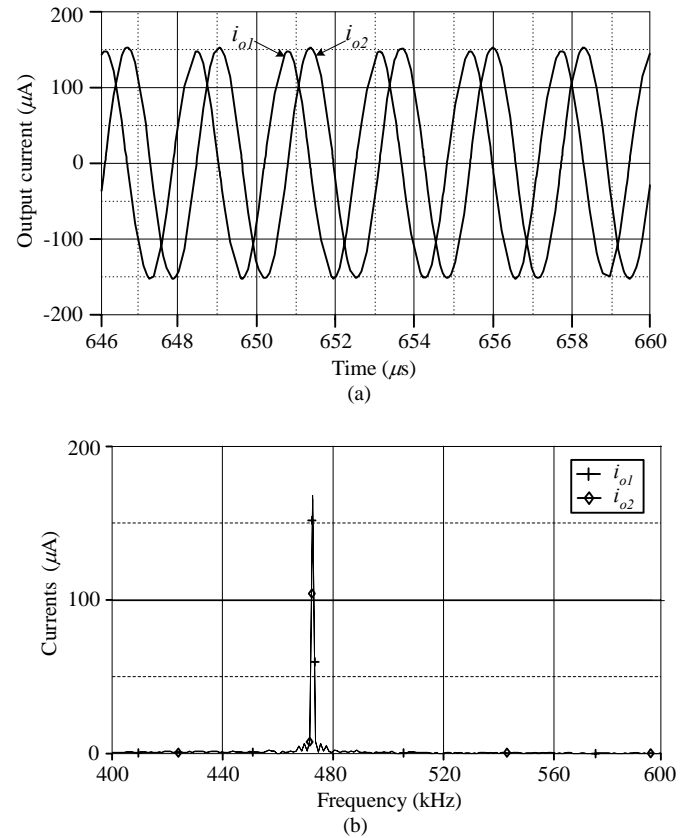


Fig.4 Simulated quadrature output responses  $i_{o1}$  and  $i_{o2}$  of the proposed oscillator.

(a) output waveforms (b) output spectrums

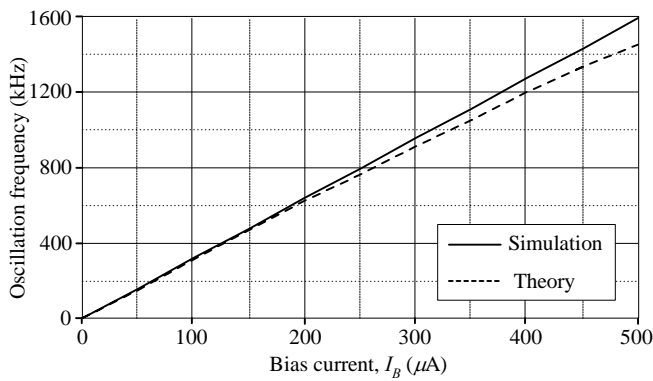


Fig.5 Theory and simulation results of the oscillation frequency ( $f_0$ ) by varying the bias current  $I_B$

The tunability of the oscillation frequency ( $f_0$ ) by varying the bias current  $I_B$  is shown in Fig.5. It is obvious that the simulated responses are found to be in good agreement with the theoretical predicted behaviour. The deviation between the theoretical calculated with equation (7) and simulated values are less than 2.5%, 5.6% and 8.8% for  $I_B$  within the ranges of 100-200  $\mu\text{A}$ , 200-400  $\mu\text{A}$  and 400-500  $\mu\text{A}$ , respectively. However, this influence can easily be minimized by simply adjusting  $I_B$  of the CDTAs.

## VI. CONCLUSIONS

The resistorless realization of current-mode quadrature oscillator using three CDTAs and two grounded capacitors has been proposed in this paper. The proposed quadrature oscillator circuit offers the following advantages:

- (i) Realization of two quadrature sinusoidal output waveforms of 90° phase shift is obtained simultaneously, without changing circuit configuration.
- (ii) Independent current-control of the oscillation condition and the oscillation frequency.
- (iii) Using only grounded capacitors for its realization, which is suitable for integration.
- (iv) Low passive and active sensitivities.

PSPICE simulations are given to verify the theoretical analysis.

## ACKNOWLEDGEMENT

This work is funded by the Commission on Higher Education & ASEAN University Network / Southeast Asia Engineering Education Development Network (CHE & AUN/SEED-Net).

## REFERENCES

- [1] U. Tietze, and C. Schenk, *Electronic Circuits: Design and Applications*, Berlin, Germany, Springer, pp.795-796, 1991.
- [2] R. Holzel, "A simple wide-band sine wave quadrature oscillator," *IEEE Transaction on Instrumentation and Measurement*, vol. 42, pp.758-760, 1993
- [3] I.A. Khan and S. Khwaja, "An integrable gm-C quadrature oscillator," *International Journal of Electronics*, vol.87, pp.1353-1357, 2000.
- [4] A.U. keskin, "Voltage-mode high-Q band-pass filters and oscillators employing single CDBA and minimum number of components," *International Journal of Electronics*, vol.92, pp.479-487, 2005.
- [5] A. U. Keskin and D. Birolek, "Current-mode quadrature oscillator using current differencing transconductance amplifiers (CDTA)," *IEE Proceedings Circuits Devices Systems*, vol.153, pp.214-218, 2006.
- [6] A. Uygur, H. Kuntman, "CDTA-based quadrature oscillator design," *European Signal Processing Conference (EUSIPCO 06)*, Florence, Italy, 2006.
- [7] W. Jaikla, M. Siripruchyanun, J. Bajer, D. Birolek, "A Simple Current-Mode Quadrature Oscillator Using Single CDTA," *Radioengineering*, vol.17, pp.33-40, 2008.
- [8] D. Birolek, V. Biolkova, A. U. Keskin, "Current mode quadrature oscillator using two CDTAs and two grounded capacitors," *Proceeding of the 5<sup>th</sup> WSEAS International Conference on System Science and Simulation in Engineering*, Spain, pp.368-370, 2006.
- [9] D. Birolek, "CDTA- Building block for current-mode analog signal processing," *Proceedings of the ECCTD'03*, Krakow, Poland, vol.3, pp.397-400, 2003.
- [10] W. Tanjaroen, T. Dumawipata, S. Unhavanich, W. Tangsrirat, W. Surakamponorn, "Design of current differencing transconductance amplifier and its application to current-mode KHN biquad filter," *Proceedings of the ECTI-CON 2006*, Ubon Ratchatani, Thailand, vol.2, pp.497-500, 2006.
- [11] W. Tangsrirat, W. Tanjaroen, "Current-mode multiphase sinusoidal oscillator using current differencing transconductance amplifiers," *Circuits Systems and Signal Processing*, vol.27, pp.81-93, 2008.
- [12] D. R. Frey, "Log-domain filtering: an approach to current-mode filtering," *IEE Proceedings of Circuits Devices and Systems*, vol.140, pp.406-416, 1993.